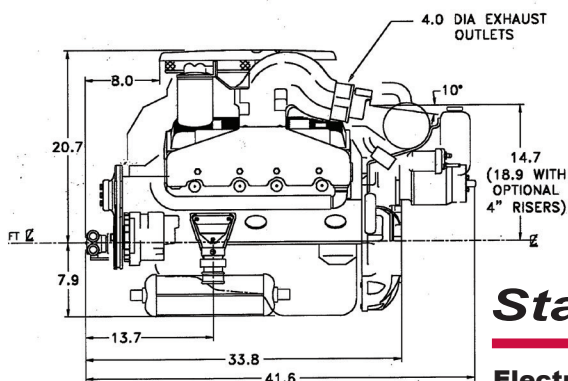
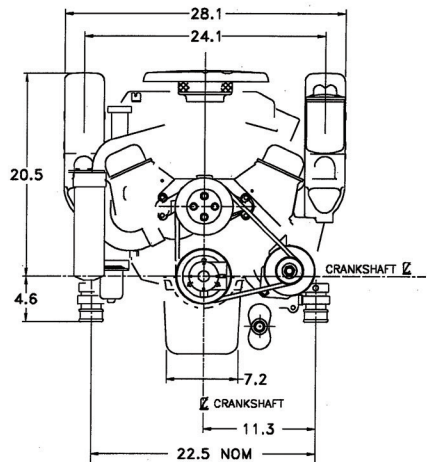


# Crusader Captain's Choice 5.0



## Specifications

<b>Captain's Choice</b>	<b>5.0 MPI</b>
Displacement	5.0L/305 c.i.d.
Cylinders	V-8
Bore & Stroke	3.75"X3.48"
Compression	9.4:1
Main Bearings	2-bolt cast iron
Rated Power*	275 hp @ 5000 rpm
Fuel System	Multiport Fuel Injection
Full Throttle RPM	5000rpm
Rotation	LH
Exhaust Outlet	4"OD
Valve Lifters	Hydraulic
Length	41.6"
Width	28.1"
Overall Height	28.6"
Total Weight w/1:1	950 lbs

## Standard Features

### Cooling System

- Full freshwater cooling
- Rear-mounted heat exchanger with easy maintenance reservoir
- Dependable dual engine/transmission cooler
- High-mounted, high volume stainless steel raw water pump
- Thermostatically controlled cooling system

### Exhaust System

- Pyramidal exhaust manifold
- High level exhaust discharge
- Free breathing ported manifolds
- Reversible exhaust riser system

### Electrical System

- Electronic Ignition
- 12-volt negative ground system
- High output 65-amp alternator (100 amp optional)
- Overload damage protection by a manual reset circuit breaker
- Pre-wired wiring harness with 10-prong disconnect
- High-torque positive-engagement top-mount marine starter
- Temperature, oil pressure and voltage sending unit
- Electrical component moisture cover
- Marine approved automatic mechanical advance distributor

### Electronic Fuel Injection

- Instant starting
- Precise throttle response
- Outstanding cruising and top-end performance
- Increased fuel efficiency

### Engine Management System

- Knock sensor adjusts for low octane fuel
- Automatic spark advance provides peak performance in all operating conditions
- Monitors the vital signs of the lubrication and cooling systems
- Rev limiter prevents engine damage from overrevving

### Exclusive Fuel Control Cell™

- Eliminates need for specially modified fuel tank or EFI installations
- Eliminates vapor lock
- Protects EFI system against contaminated fuel
- Premium, extra large fuel filter/water separator
- Easy to reach and service

### Smooth-Ride™ Mounting System

- Precision precompressed adjustable mount
- Vibration isolators for vibration-free performance
- Versatile six-way adjustment for ease of installation
- Unique rear mount system provides lateral support for added stability and strength
- Self-adjusting to stringer surface

### Lubrication System

- Full pressure full flow filtering system
- Positive crankcase ventilation

### Transmissions Options

- Compatible with all major transmissions

### Miscellaneous

- Membership in the Crusader Captain's Club
- Owner's manual
- Multi-coat non-corrosive paint protection
- U.S. Coast Guard approved flame arrester

### Warranty

- 3-Year Buyer Protection Plan



# Crusader®

**On Open Water, It's Priceless**

40580 Van Dyke Rd, Suite E  
Sterling Heights, MI 48313  
crusaderengines.com

**Local Dealer**

