



38

## CORSE STEERING WHEELS

All ULTRAFLEX steering wheels meet the EEC directive 94/25 requirements about pleasure boats. All steering wheels are CE marked in conformity with the EN 28848 – EN 29775 and ABYC P22 safety standards

- Standard 3/4" taper
- Die cast aluminum hub included
- Meet with the EN 28848 and ABYC P22 standards

### SOFT TOUCH GRIP

CORSE B/S – 38333 O  
 CORSE B/B – 38332 N  
 CORSE G/B – 38392 G  
 CORSE G/S – 38393 H

CORSE W/S – 38334 P  
 CORSE B/BR/CP  
 – 38163 O

### MAHOGANY LOOK GRIP

CORSE M/B – 39935 D

### CENTER RINGS (optional)

RING S – 61820 L silver  
 RING B – 61821 N black



CORSE B/S Black grip - Silver spokes  
Ø 13.8" (350 mm)



CORSE B/B Black grip - Black spokes  
Ø 13.8" (350 mm)



CORSE G/B Grey grip - Black spokes  
Ø 13.8" (350 mm)



CORSE G/S Grey grip - Silver spokes  
Ø 13.8" (350 mm)



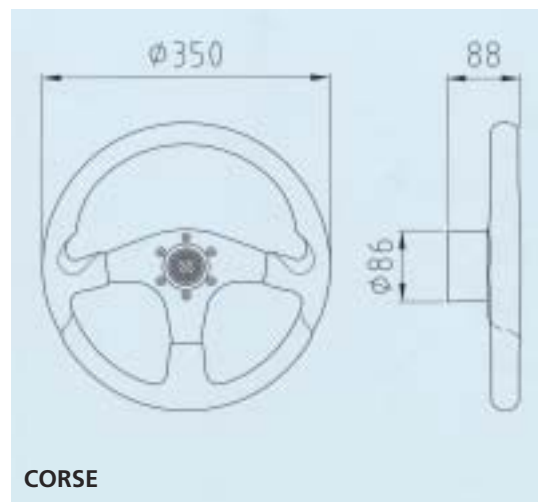
CORSE W/S White grip - Silver spokes  
Ø 13.8" (350 mm)



CORSE B/BR/CP Black grip - Burl wood center pad  
Ø 13.8" (350 mm)



CORSE M/B Mahogany grip  
Black spokes - Ø 13.8" (350 mm)



CORSE

