

ANTIGUA STEERING WHEELS

All ULTRAFLEX steering wheels meet the EEC directive 94/25 requirements about pleasure boats. All steering wheels are CE marked in conformity with the EN 28848 – EN 29775 and ABYC P22 safety standards

- Thermoplastic antishock material
- Standard 3/4" taper
- Complete with hub
- Meet with the EN 28848 and ABYC P22 standards

SOFT TOUCH GRIP

ANTIGUA B/B

- 39189 U

ANTIGUA B/B brc

- 39289 Y

ANTIGUA W/W

- 39190 C

ANTIGUA G/G

- 39274 J

ANTIGUA C/C

- 39275 L



ANTIGUA B/B Black grip - Black spokes
Ø 13.8" (350 mm)



ANTIGUA B/B brc Black grip - Black spokes
Burl wood cap Ø 13.8" (350 mm)



ANTIGUA W/W White grip
White spokes - Ø 13.8" (350 mm)



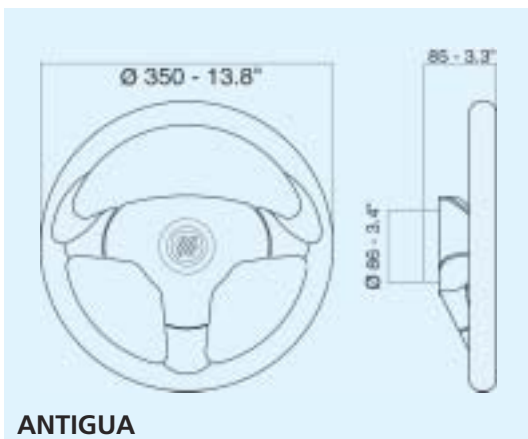
ANTIGUA G/G Grey grip
Grey spokes - Ø 13.8" (350 mm)



ANTIGUA C/C Beige grip
Beige spokes - Ø 13.8" (350 mm)



All the Antigua steering wheels are provided with an exclusive hub that easily allows the steering wheel to always be aligned properly.



ANTIGUA



35

ANTIGUA STEERING WHEELS

All ULTRAFLEX steering wheels meet the EEC directive 94/25 requirements about pleasure boats. All steering wheels are CE marked in conformity with the EN 28848 – EN 29775 and ABYC P22 safety standards

- Thermoplastic antishock material
- Standard 3/4" taper
- Complete with hub
- Meet with the EN 28848 and ABYC P22 standards

WOOD LOOK OR PAINTED GRIP

- ANTIGUA BR/B
- 39191 E
- ANTIGUA BR/B brc
- 39287 U
- ANTIGUA M/B
- 39928 G
- ANTIGUA S/B
- 39277 R



ANTIGUA BR/B Burl wood grip
Black spokes - Ø 13.8" (350 mm)



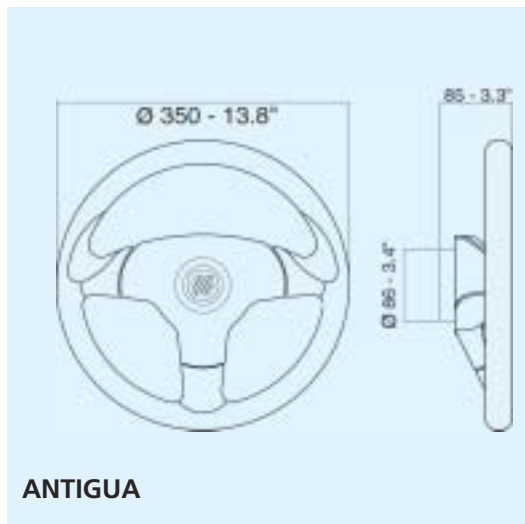
ANTIGUA BR/B brc Burl wood grip - Black
spokes - Burl wood cap - Ø 13.8" (350 mm)



ANTIGUA M/B Mahogany grip
Black spokes - Ø 13.8" (350 mm)



ANTIGUA S/B Silver painted grip
Black spokes - Ø 13.8" (350 mm)



ANTIGUA



All the Antigua steering wheels are provided with an exclusive hub that easily allows the steering wheel to always be aligned properly.

