

Yanmar type 6LY3A-ETP

The Powerful Gem

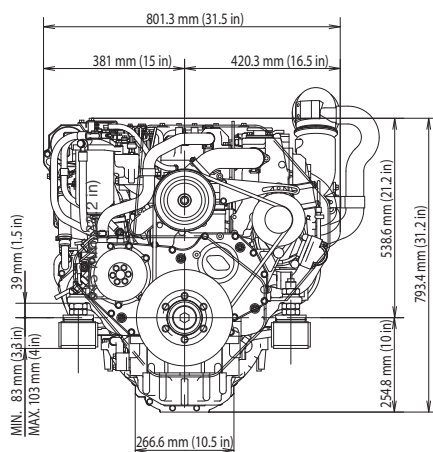


Configuration	24 valve, 4-stroke, vertical, water cooled diesel engine
Maximum output at crankshaft	** 353 kW (480 hp) / 3300 rpm
Continuous rating output at crankshaft	321 kW (436 hp) / 3198 rpm
Displacement	5.813 L (354 cu in)
Bore x stroke	106 mm x 110 mm (4.17 in x 4.33 in)
Cylinders	6 in line
Combustion system	Direct injection
Aspiration	Turbocharged with seawater cooled intercooler
Starting system	Electrical starting 12V - 3kW
Alternator	12V - 80A
Cooling system	Fresh water cooling by centrifugal fresh water pump and rubber impeller seawater pump
Lubrication system	Enclosed, forced lubricating system
Direction of rotation (crankshaft)	Counter clockwise viewed from stern
Dry weight without gear	640 kg (1411 lbs)
Environmental	Will meet the comprehensive emissions regulations to be introduced in EU and US (Tier II) in 2006
Engine mounting	Rubber type flexible mounting

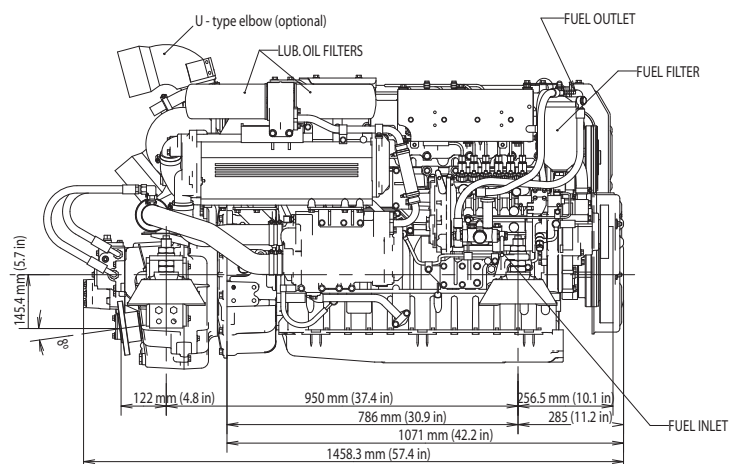
NOTE: Fuel condition: Density at 15°C = 0.860 g/cm³; 1hp = 0.7355kW
 ** Fuel temperature 40°C at the inlet of the fuel injection pump (ISO 8665)

Dimensions (For detailed line-drawings, please refer to our web-site: www.yanmarmarine.com)

Front view

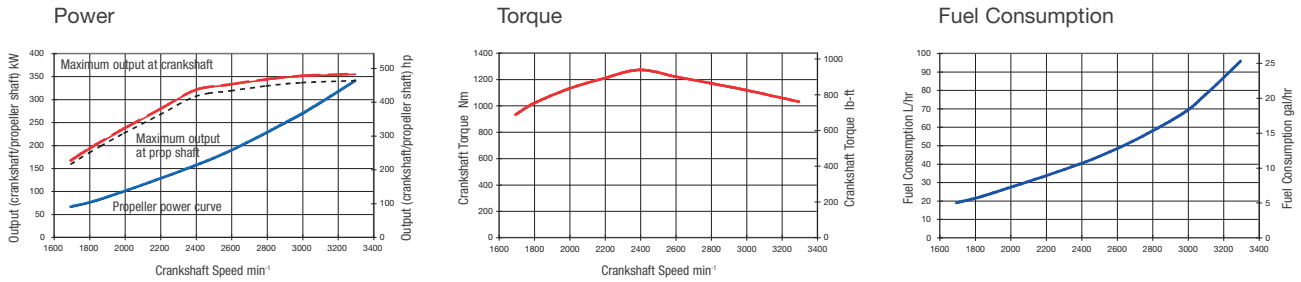


Right side view



6LY3A-ETP w/ Yanmar KMH61A marine gear

Performance Curves (Output is according ISO 8665 - Output includes +/- 6% tolerance)



Marine gear (example) ***

Model	MG5061A: 7° Angle			KMH61A			ZF85A		
Type	Wet and multi-disc			Hydraulically actuated multi-disc clutch			Hydraulically actuated multi-disc clutch		
Dry weight	100 kg (220 lbs)			78 kg (172 lbs)			90 kg (198 lbs)		
Reduction ratio (fwd/asn)	1.13/1.13	1.54/1.54	1.75/1.75	1.55/1.55	2.04/2.04	2.43/2.43	1.57/1.57	1.96/1.96	2.50/2.50
Propeller speed (fwd/asn)	2743/2743	2013/2013	1827/1827	2063/2000	1568/1568	1316/1316	2037/2037	1632/1632	1279/1279
Direction of rotation (propeller shaft - fwd)	Clockwise & counter clockwise viewed from sternviewed from stern			Clockwise & counter clockwise viewed from sternviewed from stern			Clockwise & counter clockwise viewed from sternviewed from stern		
Dry weight engine and gear	740 kg (1631 lbs)			718 kg (1583 lbs)			730 kg (1609 lbs)		
Length engine and gear	1389 mm (55 in)			1357 mm (53 in)			1373 mm (54 in)		

*** Other marine gearboxes and configurations available upon request. Contact your local supplier for more information.

Instrument Panels

Optional Control head



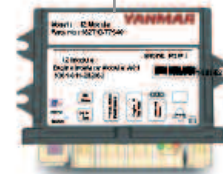
Multi function meter



CAN Bus system

Standard LCD panel display:

- engine information
- maintenance information
- diagnosis messages



Engine ECU Interface

Accessories

Standard Package

- Water pick-up for sterntube bearing
- Starter switch alarm panel: Toggle switch
- Multi-function meter
- Alternator 12 V - 80 A
- Exhaust elbow (L-type)
- Air heater

Optional

- Flexible mounts (Yanmar mounts or Barry mounts are available)
- Fuel / water separator
- Exhaust elbow, U-type (high riser)
- Lub oil evacuation pump
- Flybridge panel
- Extension wireharnesses

Texts and illustrations are not binding. Yanmar Marine reserves the right to introduce adaptations without prior notification.

www.yanmarmarine.com